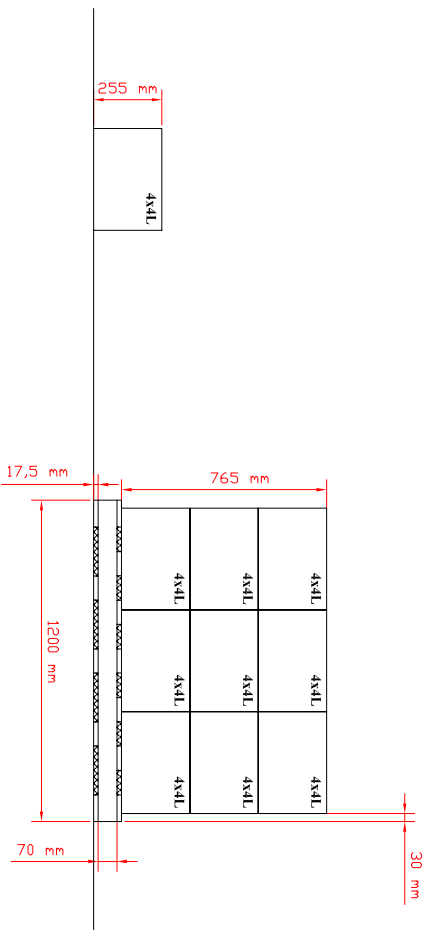
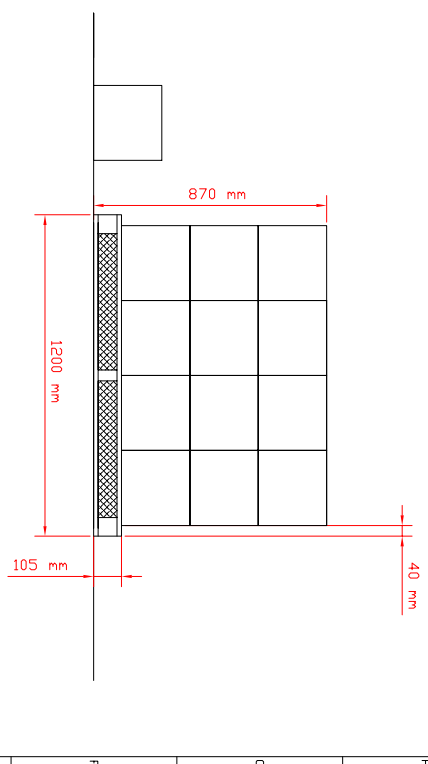


PALLETIZATION SCHEME FOR 4L SHARK CAN IN 4x4L BOXES USING A 1200x1200 mm PALLET

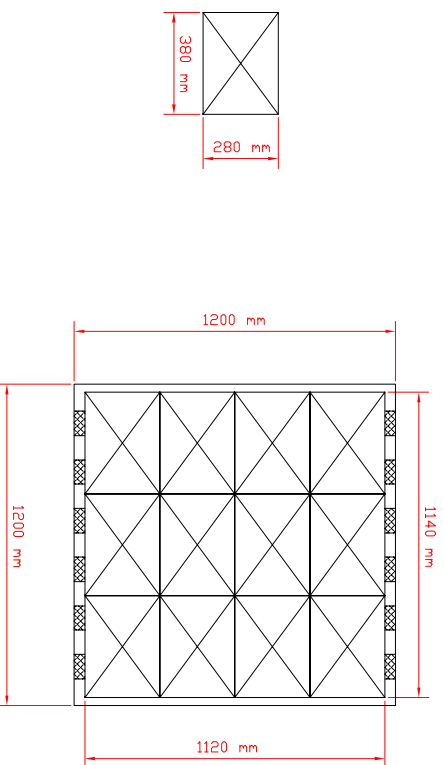
SIDE VIEW



FRONT VIEW



PLANT VIEW



36 boxes
each pallet

File type: .dwg		Programma utilizzato: AutoCAD LT	
Software used:			
4L MIDI MB 331 4x4L BOXES ON 1200x1200 mm PALLET			
Identificativo n°: Document n°:	LOG_PALL120_MIDI4x4_050813		
Project: 0 050813 Project description: PALLETIZATION SCHEME Technical responsible: Technical Office		Doc. document: Emission Document type: Layout Scale: Valid	
Author: F.Forte Author: F.Forte Author: F.Forte		Control: F.Forte Control: F.Forte Control: F.Forte	
Company: SHARK Company: ITALIAN LUBRICANTS Company: 4L MIDI MB 331 Company: 4x4L BOXES Company: ON 1200x1200 mm PALLET		Scale: A4 Scale: 1:28	